

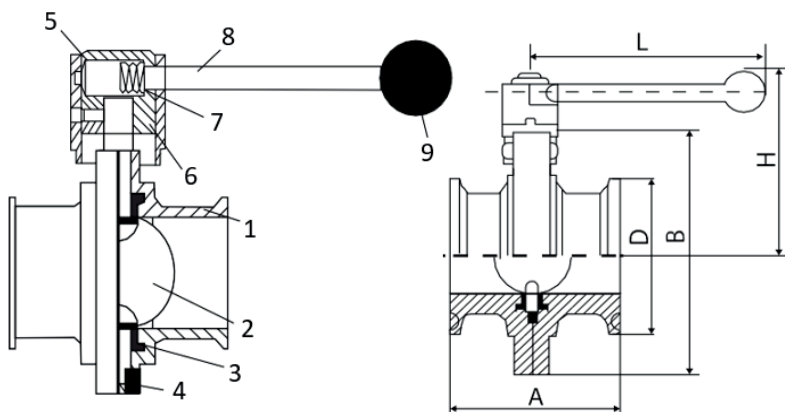


## DESIGN FEATURES:

Body: Stainless Steel 304 and 316  
 All wetted parts polished to 180 grit  
 Size: 1" - 4"  
 Seats: EPDM, Silicone white  
 Test: API 598  
 Max. Temp.: 120°C (Silicone) / 90°C (EPDM)  
 Max. Pressure: 145 PSI  
 For use in water, process liquids and gas,  
 applications in food, medical and pharmaceutical  
 industries.

## MATERIAL LIST

	PART NAME	MATERIAL
1	BODY	SS304 / SS316
2	DISC AND STEM	SS304/SS316
3	SEAT	EPDM/SILICONE WHITE
4	SCREW	SS304
5	COVER HANDLE	SS304
6	HANDLE	SS304
7	SPRING	SS304
8	HANDLE	SS304
9	SLEEVE	PLASTIC



## DIMENSIONS

SIZE (inch)	SIZE (mm)					WEIGHT (KG.)
	A	B	D	H	L	
1"	66	78	50.5	130	82	1.350
1 1/2"	70	86	50.5	130	86	1.350
2"	76	102	64	140	96	1.850
2 1/2"	80	115	77.5	150	103	2.250
3"	84	128	91	150	110	2.600
4"	106	154	119	170	122	3.600

\*Note: Dimensions, design and materials are subject to change without notice.