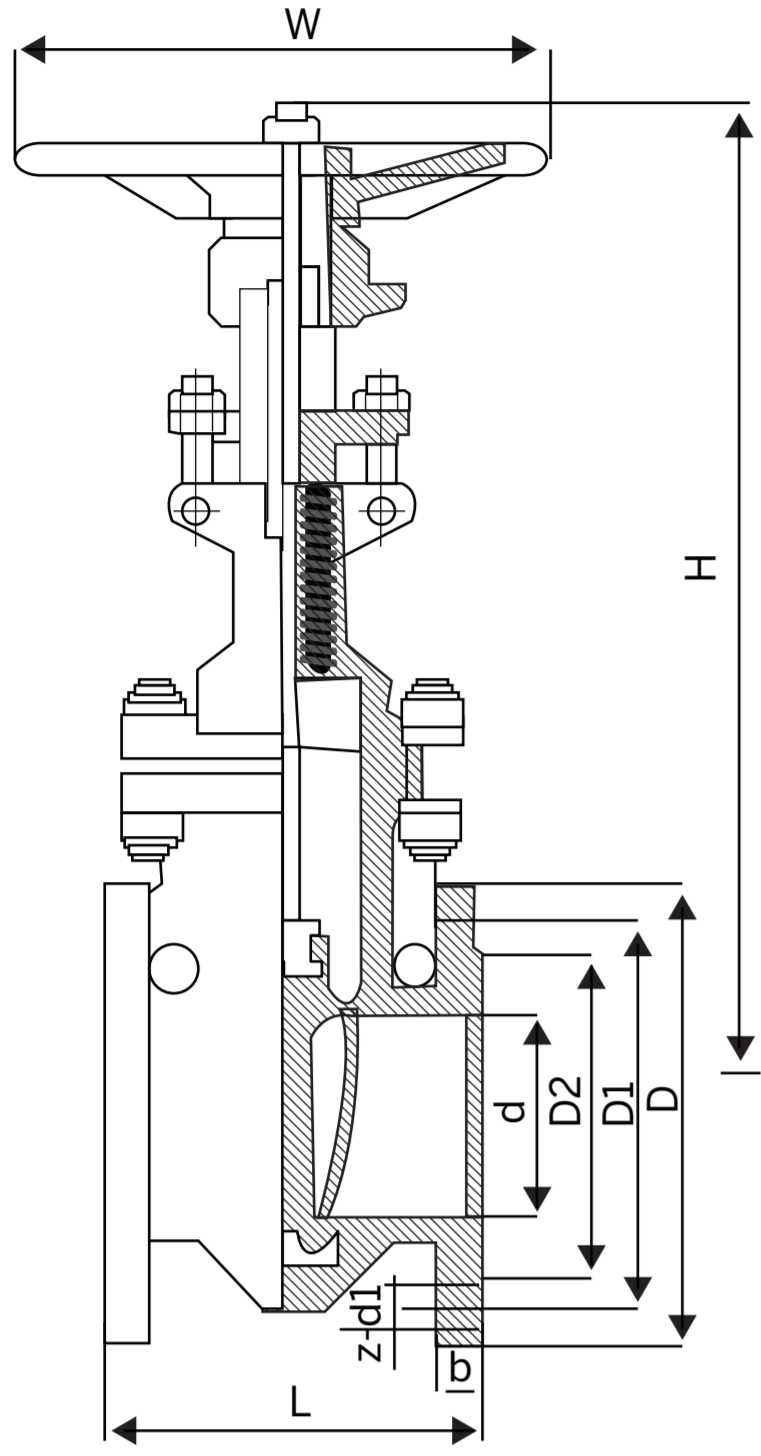


CAST STEEL GATE VALVE CLASS 150



MATERIALS LIST

Shell	ASTM A216 - WCB							ASTM A351 - CF8			
	Disc	WCB	CF8	CF8M	Monel	—	F304	F306			
Stem	F6a	304	316	Monel	—	304	316				
Disc Facing	13Cr	13Cr	STL	304	STL	316	STL	Monel	304	STL	316
Seat	13Cr	STL	STL	304	STL	316	STL	Monel	304	STL	STL

BB, OS & Y STRUCTURE

Design and Manufacture	API 600, API6D
Face to Face	ANSI B16.10
Flange Standard	ASME B16.5
Check and Test	API 598

Dimension and Weight

Class 150										
Size		Overall Dimension(mm)				Flange Dimension (mm)				Weight(Kg)
DN	NPS	L	D	D1	D2	b	z-d1	H	W	
15	1/2"	108	89	60.5	35	12	4-15	188	90	
20	3/4"	117	98	70	43	12	4-15	202	90	
25	1"	127	108	79.5	51	12	4-15	225	100	8
32	1 1/4"	140	117	89	64	13	4-15	252	100	11
40	1 1/2"	165	127	98.5	73	15	4-15	277	140	16
50	2"	178	152	120.5	92	16	4-19	323	200	23
65	2 1/2"	190	178	139.5	105	18	4-19	347	250	28
80	3"	203	190	152.5	127	19	4-19	383	250	31
100	4"	229	229	190.5	157	24	8-19	457	300	45
125	5"	254	254	216	186	24	8-22	632	300	66
150	6"	267	279	241.5	216	26	8-22	635	350	76
200	8"	292	343	298.5	270	29	8-22	672	350	148
250	10"	330	406	362	324	31	12-25	895	400	196
300	12"	356	483	432	381	32	12-25	1080	500	290
350	14"	381	533	476	413	35	12-29	1295	600	395
400	16"	406	597	540	470	37	16-29	1435	600	350
450	18"	432	635	578	578	40	16-32	1626	650	
500	20"	457	698	635	635	43	20-32	1829	650	
600	24"	508	813	749.5	749.5	48	20-35	2175	700	
750	30"	610	984	914.5	914.5	75	28-35	2692	700	