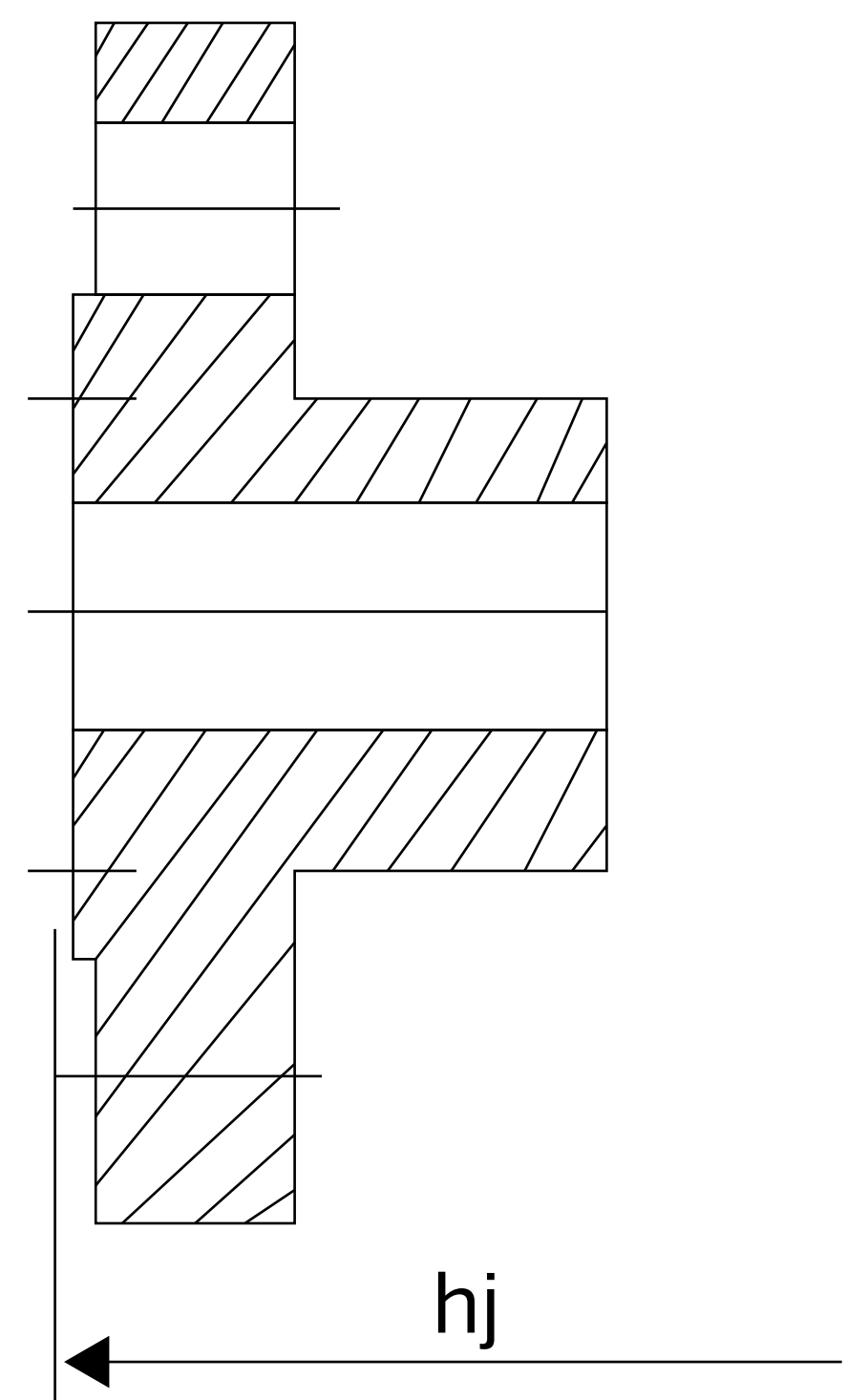
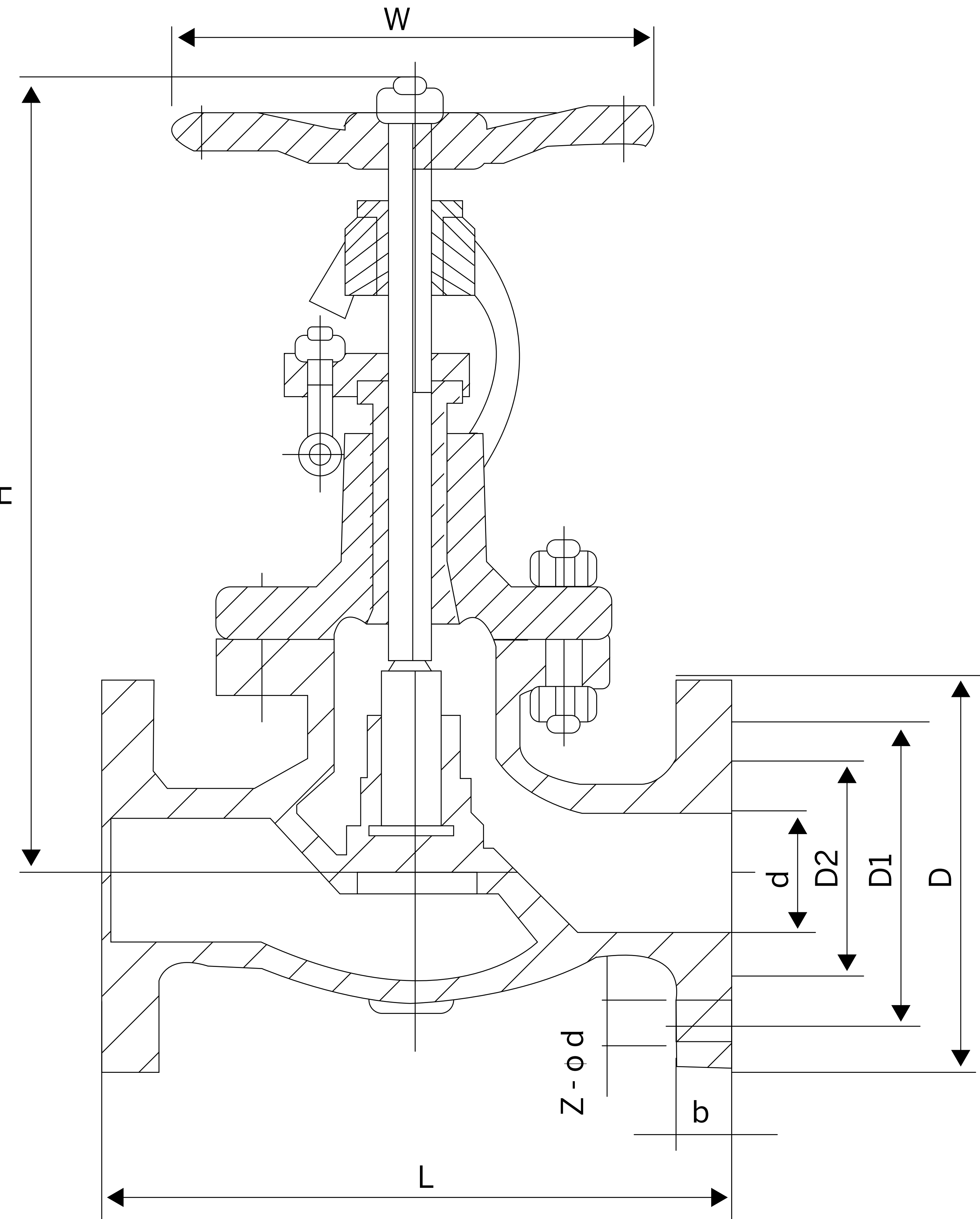
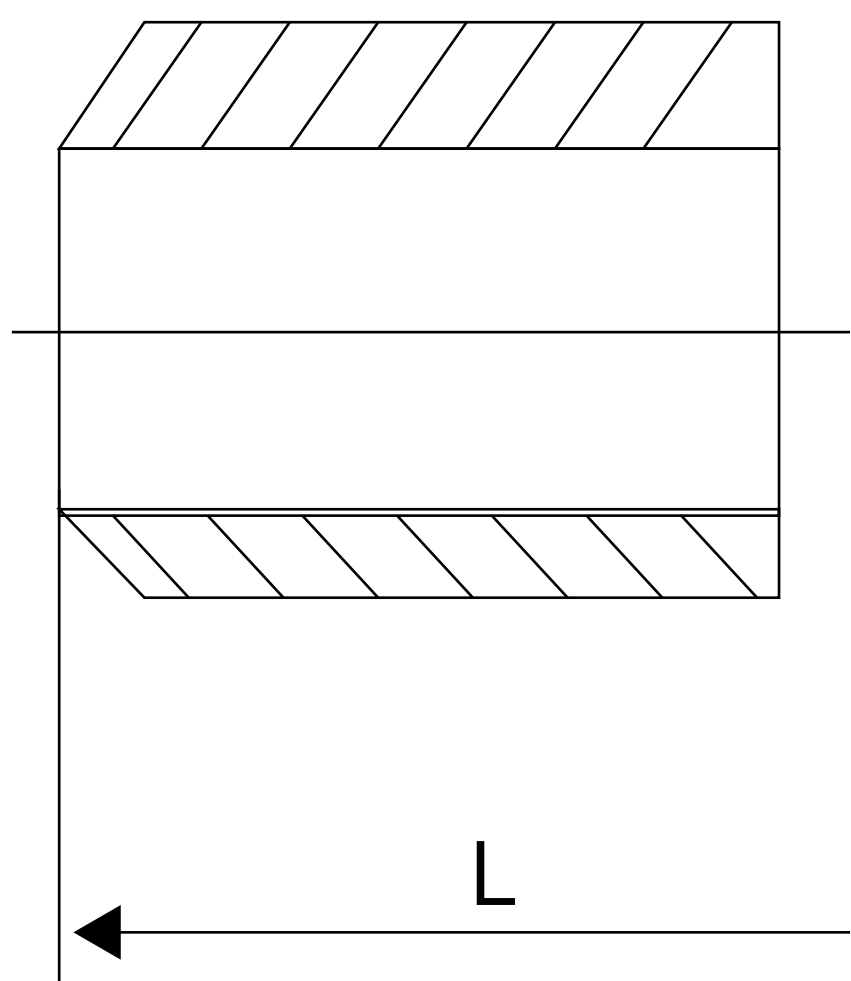


CAST STEEL GLOBE VALVE CLASS 150



Ring Type Joint End



Butt Welding End

PART MATERIAL

Shell	ASTM A216						ASTM A351 - CF8				
Cap	F6a		F304		F316		Monel	F304			
Seat	13Cr	13Cr	STL	304	STL	316	STL	Monel	304	304	STL
Disc Facing	13Cr	STL	STL	304	STL	316	STL	Monel	304	STL	STL

Shell	ASTM A351 - CF3			ASTM A216 - WCB			ASTM A 351 - CF3M		
Cap	F304L			F316L			F316L		
Seat	304L	304L	STL	316	316	STL	316L	316L	STL
Disc Facing	304L	STL	STL	316	STL	STL	316L	STL	STL

FEATURES

BB OS & Y Structure
Flange or Butt-Welding End
Manufacture In Accordance with BS 1873
Flange Dimensions To ANSI B16.5
Butt-Welding End Dimensions To ANSI B16.1
Valve Tested To API 6D or API 598

DIMENSION


Size	DN	d	L	Lj	D	D1	D2	b	Z-od	W	Open	Wt(Kg)
1/2"	15	15	108	—	89	61	35	10	4-15	100	181	3.5
3/4"	20	20	117	—	98	70	43	11	4-15	100	191	3.9
1"	25	25	127	—	108	80	51	12	4-15	120	216	5.8
1 1/2"	40	40	165	—	127	99	73	15	4-15	133	354	10.8
2"	50	50	178	—	152	121	92	16	4-19	200	330	20
2 1/2"	65	65	190	—	178	140	105	18	4-19	250	359	32
3"	80	80	203	—	190	153	127	19	4-19	280	390	42
4"	100	100	229	—	229	191	157	24	8-19	298	444	64
6"	150	150	394	—	279	242	216	26	8-22	350	521	114
8"	200	200	457	—	343	299	270	29	8-22	400	609	186

WWW.VANECO.COM.PE

Email: ventas@vaneco.com.pe

Oficina: Av. Andrés Razuri 207 Urb. Maranga San Miguel

Almacén Principal: Avenida Nicolas Ayllón 2635 – Interior C3

Central telefónica: (511) 5170130  948544608